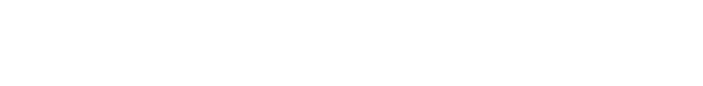


HOISTWAY PLAN VIEW



HOISTWAY PLAN VIEW DETAIL A

BOTTOM LANDING



TYPICAL DOOR LOCATION DETAIL



TYPICAL DOOR LOCATION DETAIL

**HORIZONTAL RUNNING CLEARANCES AS REQUIRED BY ASME A17.1, SECTION 5.3

1 1/8" TYPICAL RUNNING CLEARANCE (SILL TO SILL)

DOOR INTERLOCK

3" MAX** (INSIDE FACE OF HOISTWAY DOOR TO SILL)

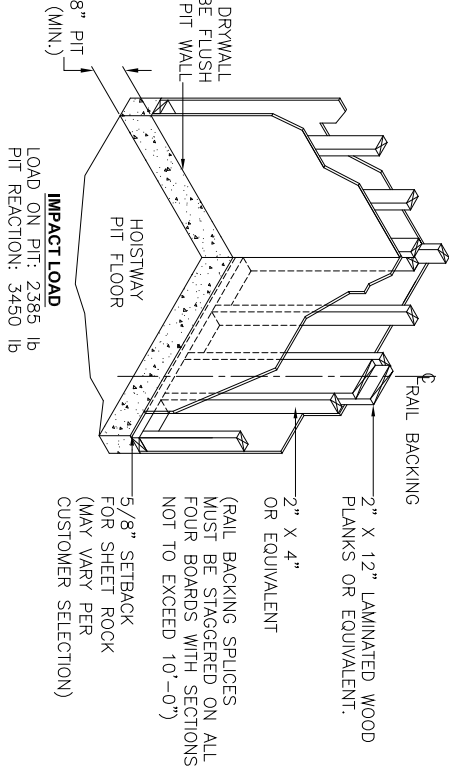
5" MAX** (HOISTWAY FACE OF LANDING DOOR TO OUTSIDE OF CAR GATE)

ACCORDION GATE

1/2" - 1 1/8" **RUNNING CLEARANCE (SILL TO SILL)

"NOT FOR CONSTRUCTION"

TYPICAL HOISTWAY DRAWINGS, "AS DRAWN" ARE FOR GENERAL CONFORMANCE WITH ADVANTAGE'S MINIMUM REQUIREMENTS ONLY. PLEASE GET IN TOUCH WITH A/E FOR DESIGN SUPPORT, AND/OR JOB SPECIFIC DRAWINGS. FINAL PROJECT APPROVAL DRAWINGS FROM ADVANTAGE ARE REQUIRED BEFORE BEGINNING HOISTWAY CONSTRUCTION.



IMPACT LOAD
LOAD ON PIT: 2385 lb
PIT REACTION: 3450 lb

RAIL BACKING
2" X 12" LAMINATED WOOD PLANKS OR EQUIVALENT

2" X 4" OR EQUIVALENT

(RAIL BACKING SPICES MUST BE STAGGERED ON ALL FOUR BOARDS WITH SECTIONS NOT TO EXCEED 10'-0")

5/8" SETBACK FOR SHEET ROCK (MAY VARY PER CUSTOMER SELECTION)

NOTE: A PLUMB HOISTWAY WITH A TOLERANCE NO LESS THAN 1/4" IN 20'-0" IS REQUIRED. THE HOISTWAY RAIL MOUNTING WALL AND THE LANDING MUST BE PERPENDICULAR TO MAINTAIN CODE REQUIRED RUNNING CLEARANCES. THE PIT FLOOR MUST BE SMOOTH, LEVEL AND AT THE PROPER DEPTH.

DRAWING TITLE: **HOISTWAY PLAN VIEW**
36 X 48 90° OPENING

DEALER NAME:

JOB NAME:

JOB NO.:

DRAWING NO.: **HWY3648-101 9RR**

DATE: **03/07/08**

SCALE: **NTS**

SHEET: **1** OF: **1**

TYPICAL DRAWING

PROPRIETARY AND CONFIDENTIAL

THE INFORMATION CONTAINED IN THIS DRAWING IS THE SOLE PROPERTY OF ADVANTAGE HOME ELEVATOR. ANY REPRODUCTION IN PART OR AS A WHOLE WITHOUT THE WRITTEN CONSENT OF ADVANTAGE HOME ELEVATOR IS PROHIBITED.

RELEASE SIGNATURE

DATE

DRAWN BY: **ESANCHEZ**

CHECKED BY: **DBROWN**

ENG. APP: **DBROWN**

DESIGN APP:

Q.C. APP:

REVISIONS

REV	ECN	DESCRIPTION	DRAWN BY	DATE	CHECKED BY

FOR DEALER USE ONLY:
OWNER/CONTRACTOR: _____ DATE: _____

ALL DIMENSIONS HAVE BEEN DERIVED FROM THE ADVANTAGE ORDER FORM. ACTUAL SITE CONDITIONS MAY VARY FROM THE ORDER FORM. ALL DIMENSIONS SHALL BE SUBJECT TO THE MANUFACTURING TOLERANCES ARE SET TO INDUSTRY AND NATIONAL CODE STANDARDS UNLESS OTHERWISE NOTED, AND ARE SUBJECT TO CHANGE WITHOUT NOTICE. PLEASE CHECK THE APPROPRIATE ACTION BOX AND RETURN TO THE ADVANTAGE CUSTOMER SERVICE DEPARTMENT.

APPROVED WITH NO EXCEPTIONS

APPROVED AS NOTED

CHANGES AND REAPPROVAL ARE REQUIRED

SIGNATURE _____ DATE _____

ADVANTAGE HOME ELEVATOR ELEVATOR EQUIPMENT CORP.

4056 COPPIN AVE. LOS ANGELES, CA 90034
2230 N.W. 12TH STREET RICHMOND, IN 47374

PHONE: (889) 877-4762
FAX: (323) 762-1780