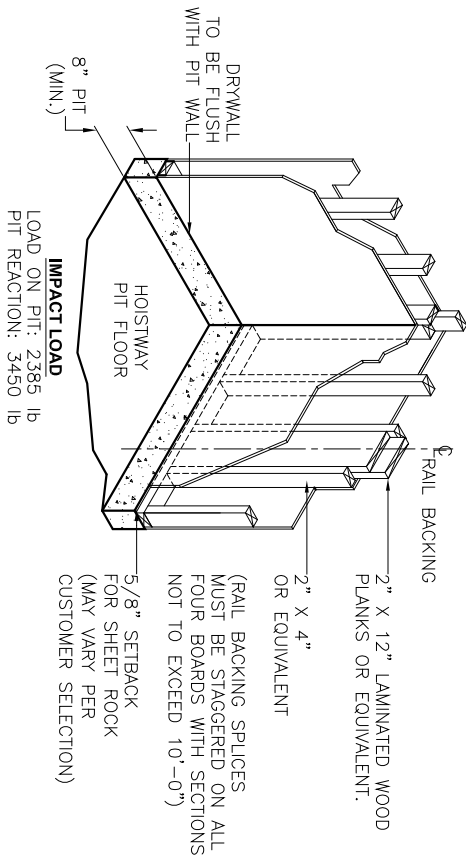


**TYPICAL DOOR LOCATION DETAIL**  
 \*\*HORIZONTAL RUNNING CLEARANCES AS REQUIRED BY ASME A17.1, SECTION 5.3



NOTE: A PLUMB HOISTWAY WITH A TOLERANCE NO LESS THAN 1/4" IN 20'-0" IS REQUIRED. THE HOISTWAY RAIL MOUNTING WALL AND THE LANDING MUST BE PERPENDICULAR TO MAINTAIN CODE REQUIRED RUNNING CLEARANCES. THE PIT FLOOR MUST BE SMOOTH, LEVEL AND AT THE PROPER DEPTH.

DRAWING TITLE: **HOISTWAY PLAN VIEW**  
 48 X 36 FRONT RAIL OPENING

DEALER NAME:

JOB NAME:

JOB NO.:

DRAWING NO.: HWY3648-101 IOL

DATE: 03/07/08

SCALE: NTS

SHEET: 1 OF: 1

ELEVATOR TYPE:

REVISION: 01

**TYPICAL DRAWING**

**PROPRIETARY AND CONFIDENTIAL**

THE INFORMATION CONTAINED IN THIS DRAWING IS THE SOLE PROPERTY OF ADVANTAGE HOME ELEVATOR. ANY REPRODUCTION IN PART OR AS A WHOLE WITHOUT THE WRITTEN CONSENT OF ADVANTAGE HOME ELEVATOR IS PROHIBITED.

RELEASE SIGNATURE

DRAWN BY: ESANCHEZ

CHECKED BY: D.BROWN

ENG. APP: D.BROWN

DESIGN APP:

Q.C. APP:

REV	ECN	DESCRIPTION	DRAWN BY	DATE	CHECKED BY
<b>REVISIONS</b>					
FOR DEALER USE ONLY:					
OWNER/CONTRACTOR: _____ DATE: _____					

ALL DIMENSIONS HAVE BEEN DERIVED FROM THE ADVANTAGE ORDER FORM. ACTUAL SITE CONDITIONS MAY VARY FROM THE ORDER. ALL DIMENSIONS SHALL BE SUBJECT TO THE REVISIONS AND TOLERANCES FROM THE MANUFACTURING STANDARDS UNLESS OTHERWISE NOTED, AND ARE SUBJECT TO CHANGE WITHOUT NOTICE. PLEASE CHECK THE APPROPRIATE ACTION BOX AND RETURN TO THE ADVANTAGE CUSTOMER SERVICE DEPARTMENT.

APPROVED AS NOTED

CHANGES AND REAPPROVAL ARE REQUIRED

SIGNATURE \_\_\_\_\_ DATE \_\_\_\_\_

**"NOT FOR CONSTRUCTION"**

\*\*TYPICAL HOISTWAY DRAWINGS, "AS DRAWN" ARE FOR GENERAL CONFORMANCE WITH ADVANTAGE'S MINIMUM REQUIREMENTS ONLY. PLEASE GET IN TOUCH WITH A/E FOR DESIGN SUPPORT, AND/OR JOB SPECIFIC DRAWINGS. FINAL PROJECT APPROVAL DRAWINGS FROM ADVANTAGE ARE REQUIRED BEFORE BEGINNING HOISTWAY CONSTRUCTION.\*\*

**ADVANTAGE HOME ELEVATOR ELEVATOR EQUIPMENT CORP.**

4056 GORDMAN AVE. LOS ANGELES, CA 90029  
 2230 N.W. 12TH STREET, RICHMOND, IN 47374

PHONE: (888) 877-4762  
 FAX: (323) 762-1780