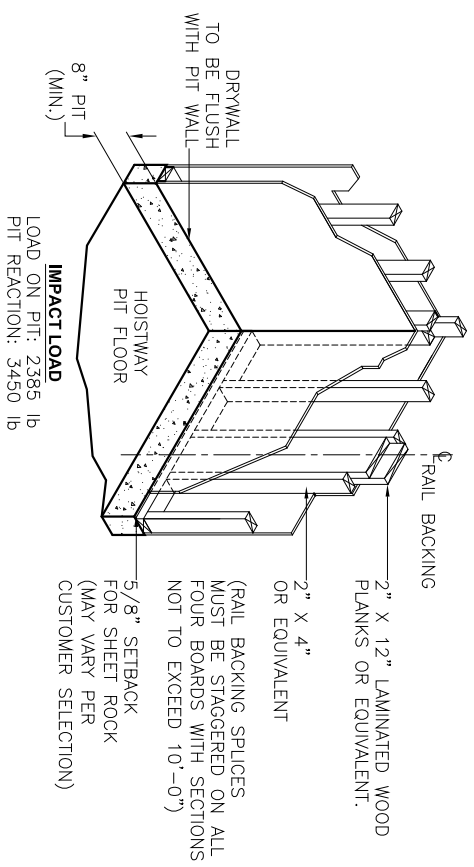


TYPICAL DOOR LOCATION DETAIL
 **HORIZONTAL RUNNING CLEARANCES AS REQUIRED BY ASME A17.1, SECTION 5.3



IMPACT LOAD
 LOAD ON PIT: 2385 lb
 PIT REACTION: 3450 lb

NOTE: A PLUMB HOISTWAY WITH A TOLERANCE NO LESS THAN 1/4" IN 20'-0" IS REQUIRED. THE HOISTWAY RAIL MOUNTING WALL AND THE LANDING MUST BE PERPENDICULAR TO MAINTAIN CODE REQUIRED RUNNING CLEARANCES. THE PIT FLOOR MUST BE SMOOTH, LEVEL AND AT THE PROPER DEPTH.

DRAWING TITLE: **HOISTWAY PLAN VIEW**
 DEALER NAME: **36 X 48 IN LINE OPENING**
 JOB NAME:
 JOB NO.:
 DRAWING NO.: **HWY3648-101 IRR**
 DATE: **03/07/08**
 SCALE: **NTS**
 SHEET: **1** OF: **1**

TYPICAL DRAWING
PROPRIETARY AND CONFIDENTIAL
 THE INFORMATION CONTAINED IN THIS DRAWING IS THE SOLE PROPERTY OF ADVANTAGE HOME ELEVATOR. ANY REPRODUCTION IN PART OR AS A WHOLE WITHOUT THE WRITTEN CONSENT OF ADVANTAGE HOME ELEVATOR IS PROHIBITED.

RELEASE SIGNATURE
 DRAWN BY: **ESANCHEZ**
 CHECKED BY: **D.BROWN**
 ENG. APP: **D.BROWN**
 DESIGN APP:
 Q.C. APP:

REV	ECN	DESCRIPTION	DRAWN BY	DATE	CHECKED BY
REVISIONS					
FOR DEALER USE ONLY:					
OWNER/ CONTRACTOR: _____ DATE: _____					

ALL DIMENSIONS HAVE BEEN DERIVED FROM THE ADVANTAGE ORDER FORM. ACTUAL SITE CONDITIONS MAY VARY FROM THE DRAWING. PLEASE REFER TO THE MANUFACTURING TOLERANCES ARE SET TO INDUSTRY AND NATIONAL CODE STANDARDS UNLESS OTHERWISE NOTED, AND ARE SUBJECT TO CHANGE WITHOUT NOTICE. PLEASE CHECK THE APPROPRIATE ACTION BOX AND RETURN TO THE ADVANTAGE CUSTOMER SERVICE DEPARTMENT.

APPROVED AS NOTED
 CHANGES AND REAPPROVAL ARE REQUIRED
 SIGNATURE _____ DATE _____

"NOT FOR CONSTRUCTION"
 TYPICAL HOISTWAY DRAWINGS, "AS DRAWN" ARE FOR GENERAL CONFORMANCE WITH ADVANTAGE'S MINIMUM REQUIREMENTS ONLY. PLEASE GET IN TOUCH WITH AHE FOR DESIGN SUPPORT, AND/OR JOB SPECIFIC DRAWINGS. FINAL PROJECT APPROVAL DRAWINGS FROM ADVANTAGE ARE REQUIRED BEFORE BEGINNING HOISTWAY CONSTRUCTION.

ADVANTAGE HOME ELEVATOR ELEVATOR EQUIPMENT CORP.
 4035 GORDMAN AVE. LOS ANGELES, CA 90039
 2230 N.W. 12TH STREET RICHMOND, IN 47374
 PHONE: (889) 877-4762
 FAX: (323) 762-1780