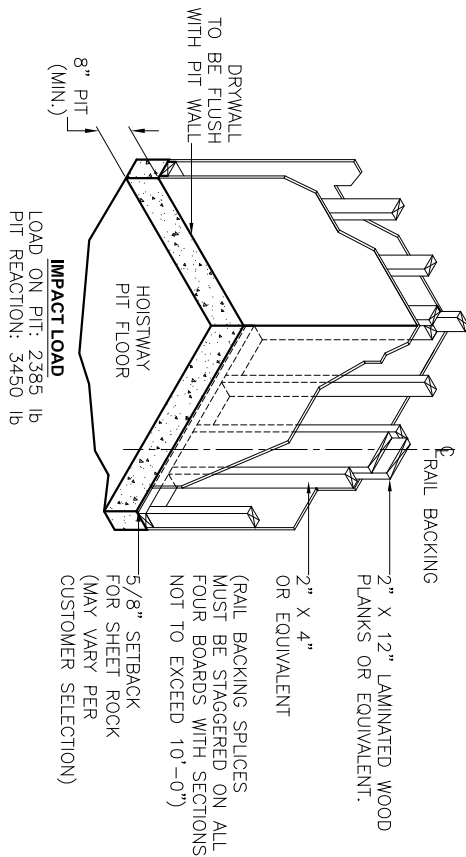


**TYPICAL DOOR LOCATION DETAIL**  
 \*\*HORIZONTAL RUNNING CLEARANCES AS REQUIRED BY ASME A17.1, SECTION 5.3



**"NOT FOR CONSTRUCTION"**  
 \*\*TYPICAL HOISTWAY DRAWINGS, "AS DRAWN" ARE FOR GENERAL CONFORMANCE WITH ADVANTAGE'S MINIMUM REQUIREMENTS ONLY. PLEASE GET IN TOUCH WITH A/E FOR DESIGN SUPPORT, AND/OR JOB SPECIFIC DRAWINGS. FINAL PROJECT APPROVAL DRAWINGS FROM ADVANTAGE ARE REQUIRED BEFORE BEGINNING HOISTWAY CONSTRUCTION.\*\*

NOTE: A PLUMB HOISTWAY WITH A TOLERANCE NO LESS THAN 1/4" IN 20'-0" IS REQUIRED. THE HOISTWAY RAIL MOUNTING WALL AND THE LANDING MUST BE PERPENDICULAR TO MAINTAIN CODE REQUIRED RUNNING CLEARANCES. THE PIT FLOOR MUST BE SMOOTH, LEVEL AND AT THE PROPER DEPTH.

DRAWING TITLE: **HOISTWAY PLAN VIEW**  
**36 X 48 OPPOSITE OPENING**

DEALER NAME:

JOB NAME:

JOB NO.:

DRAWING NO.: **HWY3648-101 PLL**

DATE: **03/07/08**

**TYPICAL DRAWING**

RELEASE SIGNATURE

DATE

ALL DIMENSIONS HAVE BEEN DERIVED FROM THE ADVANTAGE ORDER FORM. ACTUAL SITE CONDITIONS MAY VARY FROM THE ORDER. PLEASE CONSULT WITH THE MANUFACTURER FOR TOLERANCES ARE SET TO INDUSTRY AND NATIONAL CODE STANDARDS UNLESS OTHERWISE NOTED, AND ARE SUBJECT TO CHANGE WITHOUT NOTICE. PLEASE CHECK THE APPROPRIATE ACTION BOX AND RETURN TO THE ADVANTAGE CUSTOMER SERVICE DEPARTMENT.

**ADVANTAGE HOME ELEVATOR ELEVATOR EQUIPMENT CORP.**  
 4356 GORDMAN AVE. LOS ANGELES, CA 90034  
 2230 N.W. 12TH STREET, RICHMOND, IN 47374  
 PHONE: (889) 877-4762  
 FAX: (323) 762-1780

**PROPRIETARY AND CONFIDENTIAL**  
 THE INFORMATION CONTAINED IN THIS DRAWING IS THE SOLE PROPERTY OF ADVANTAGE HOME ELEVATOR. ANY REPRODUCTION IN PART OR AS A WHOLE WITHOUT THE WRITTEN CONSENT OF ADVANTAGE HOME ELEVATOR IS PROHIBITED.

DRAWN BY: **ESANCHEZ**  
 CHECKED BY: **DBROWN**  
 ENG. APP: **DBROWN**  
 DESIGN APP: **DBROWN**  
 G.C. APP:

FOR DEALER USE ONLY:  
 OWNER/CONTRACTOR: \_\_\_\_\_  
 DATE: \_\_\_\_\_

APPROVED AS NOTED  
 CHANGES AND REAPPROVAL ARE REQUIRED  
 SIGNATURE: \_\_\_\_\_ DATE: \_\_\_\_\_

REVISIONS  
 REV EGN DESCRIPTION DRAWN BY DATE CHECKED BY